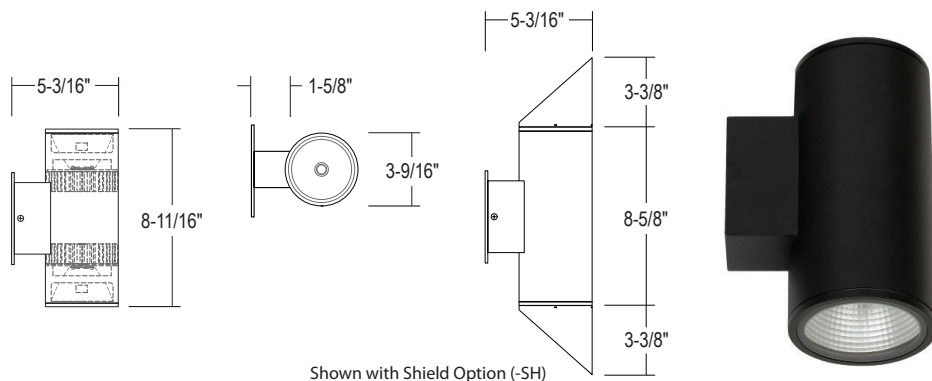


# WD2340 : 4" ROUND 2-DIRECTION WALL MOUNT (IP65) 2 X 1000LM-1500LM (20W-30W)



- Uniform, Low Glare Illumination
- Singular COB light source
- New Integral Emergency Option
- 13' Mtg. Ht., 22' O.C. Spacing (1000 lumen package)
- 25' Mtg. Ht., 22' O.C. Spacing (1500 lumen package)
- 5-Year Limited Warranty
- Photocell Available
- Available with Type IV/Forward Throw Optics
- IK08 Rated
- New Die-Cast Mounting Plate (-WPDC4)

## ORDERING : WD2340B-BU10-BD10UE-DUN-T27-LVR

[Click for Full Specification Details](#)

### WD2340

Fixture	Finish	Lumen	Optics	Control	LED	Emergency Options	Options
<b>Finish</b>			<b>Optics</b>			<b>Control<sup>3</sup></b>	<b>Emergency Options</b>
White (RAL 9003) <b>W</b>			Ⓢ Beam Up	Ⓢ Beam Down		Non-Dimming (120V)	<b>Blank</b>
Silver (RAL 7037) <b>S</b>			Standard Beams	Standard Beams		TRIAC/ELV Dimming (120V)	<b>-DIN</b>
Bronze (RAL 8019) <b>BZ</b>			Wide Flood	Wide Flood		0-10V Dimming (120V/277V)	<b>UE-D10</b>
Black (RAL 9005) <b>B</b>			Narrow Spot	Narrow Spot		UniDim™ 0-10V, TRIAC/ELV Dimming (120V/277V)	<b>UE-DUN</b>
Light Silver (RAL 7036) <b>LS<sup>1</sup></b>			Spot	Spot		1%, 0-10V Dimming (120V/277V)	<b>UE-D10P1</b>
Dark Grey (RAL 7015) <b>DG<sup>1</sup></b>			Flood	Flood		Casambi Wireless Dimming	<b>-DCSM<sup>9</sup></b>
Metallic Gold (RAL 1001) <b>MG<sup>1</sup></b>			CleanBeam™ Option	CleanBeam™ Option		BubblyNet Wireless System	<b>-DBNT<sup>10</sup></b>
Metallic Black (RAL 7021) <b>MB<sup>1</sup></b>			10° Pencil Beam	10° Pencil Beam		SimplySnap Wireless System	<b>-DSYN<sup>10</sup></b>
<b>Lumen</b>			15° Clean Beam	15° Clean Beam		<b>LED</b>	<b>Options</b>
2 x 1000lm (20W)	<b>Blank</b>		35° Clean Beam	35° Clean Beam		4000K (90 CRI)	<b>Blank</b>
2 x 1500lm (30W)	<b>-L15</b>		Specialty Beams	Specialty Beams		2700K (90 CRI)	<b>-T27</b>
			Wall Wash	Wall Wash		2700K (97 CRI)	<b>-T27-C97<sup>2</sup></b>
			Forward Throw	Forward Throw		3000K (90 CRI)	<b>-T30</b>
			(Type IV)	(Type IV)		3000K (97 CRI)	<b>-T30-C97<sup>2</sup></b>
			Type II	Type II		3500K (90 CRI)	<b>-T35</b>
			(30° x 60°)	(30° x 60°)		5000K (80 CRI)	<b>-T50</b>
						RGB+W Control (24VDC)	<b>-RGBWV24<sup>7</sup></b>
							Glare Shield (Up and Down)
							Independent Control (Up/Down)
							<b>-2CCT</b>
							Marine Grade Finish
							<b>-MGD</b>
							Die-Cast Oversized Mounting Plate
							<b>-WPDC4</b>

<sup>1</sup>Special Order Finish. Minimum order quantity (MOQ) applies. Orders less than MOQ are subject to a special paint set-up fee for the quantity ordered. Extended lead times may apply. Consult Factory.  
<sup>2</sup>Special Order. Minimum order quantity (MOQ), extended lead time may apply. Consult Factory.  
<sup>3</sup>Standard driver minimum starting temperature is -10°C / 14°F.  
<sup>4</sup>Cold Weather Start (-CW) Starting Temperature -30°C / -22°F.  
<sup>5</sup>Blank EM enclosure available for non-EM units to provide a seamless design aesthetic when EM enabled products are installed.  
<sup>6</sup>(-EMB-SD) and (-EMB-FC) are not compatible with (-CW) option.  
<sup>7</sup>Remote Power Supplies and Control Gear required. Available with Wireless Bluetooth Casambi or DMX 512 control. Consult Factory for Details.  
<sup>8</sup>(-LVR) Hex-Cell Louver is not compatible with CleanBeam Options (-CBU10), (-CBU15), (-CBU35), (-CBD10), (-CBD15), (-CBD35).  
<sup>9</sup>Special Order. Must be ordered with -EMB-FC.  
<sup>10</sup>Special Order. Must be ordered with -EMB-BLANK.

347 Input with 0-10V available. Consult Factory for details and lead time.

Energy Efficient Chip-On-Board (COB) Singular LED Light source provides for smooth uniform light output, eliminating the multiple shadow effect seen by multiple LED source products. Binned with 3-Step MacAdam Ellipses as recommended by Ansi Standard. Available in 2700K, 3000K, 3500K, 4000K, 5000K, RGBW, and 590nm Amber.

Custom RAL Color: Please note that we appreciate custom finishes. Custom finishes are subject to a special paint setup fee for the quantity ordered. Extended lead times may apply. Consult Factory.

### COMPATABILITY



2026.03.18