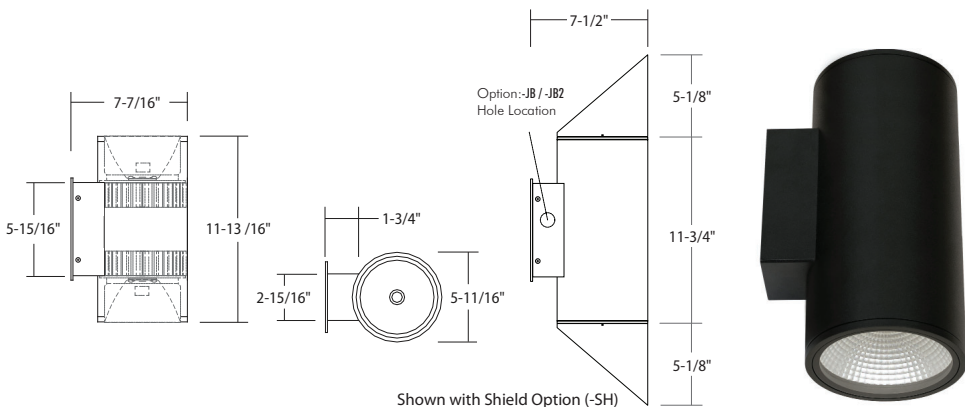


WD2360 : 6" ROUND 2-DIRECTION

WALL MOUNT (IP65) 2 X 1000LM-2600LM (20W-60W)



- Uniform, Low Glare Illumination
- Singular COB light source
- New Integral Emergency Option
- Unidim dimming option with 2-Wire Incandescent, 3-Wire ELV or 0-10V controls
- 13' Mtg. Ht., 22' O.C. Spacing (1000 lumen package)
- 25' Mtg. Ht., 22' O.C. Spacing (1500 lumen package)
- 5-Year Limited Warranty
- Photocell Available
- Available with Type IV/Forward Throw Optics
- Available with 347Vac, 0-10V dimming
- IK08 Rated
- New Die-Cast Mounting Plate (-WPDC6)

ORDERING : WD2360B-BU20-BD45-DIN-EMAC-T27-SDL

[Click for Full Specification Details](#)

Fixture	Finish	Lumen	Optics	Control	LED	Emergency Options	Options
Finish			Optics			Control³	Options
White	(RAL 9003) W		⊕ <i>Beam Up</i>	⊖ <i>Beam Down</i>		Non-Dimming (120V)	Blank
Silver	(RAL 7037) S		<i>Standard Beams</i>	<i>Standard Beams</i>		TRIAC/ELV Dimming (120V)	-DIN⁵
Bronze	(RAL 8019) BZ		Wide Flood	Wide Flood		0-10V Dimming (120V/277V)	UE-D10⁵
Black	(RAL 9005) B		Narrow Spot	Narrow Spot		UniDim™ 0-10V, TRIAC/ELV Dimming (120V/277V)	UE-DUN⁵
Light Silver	(RAL 7036) LS¹		Spot	Spot		1%, 0-10V Dimming (120V/277V)	UE-D10P1
Dark Grey	(RAL 7015) DG¹		Flood	Flood		0-10V Dimming (347V)	-347-D10⁸
Metallic Gold	(RAL 1001) MG¹		<i>CleanBeam™ Option</i>	<i>CleanBeam™ Option</i>		UniSense - Integral Motion/Photosensor (120V)	-SUN-INT¹¹
Metallic Black	(RAL 7021) MB¹		10° Pencil Beam	10° Pencil Beam		UniSense - Integral Motion/Photosensor (120V/277V)	-SUN-INT-1227¹¹
Lumen			15° Clean Beam	15° Clean Beam		Casambi Wireless Dimming	-DCSM¹²
2 x 1000lm (20W)	Blank		35° Clean Beam	35° Clean Beam		BubblyNet Wireless System	-DBNT¹³
2 x 1500lm (30W)	-L15		<i>Specialty Beams</i>	<i>Specialty Beams</i>		SimplySnap Wireless System	-DSYN¹³
2 x 2200lm (45W)	-L20		Wall Wash	Wall Wash		LED	
2 x 2600lm (60W)	-L26		Forward Throw (Type IV)	Forward Throw (Type IV)		4000K (90 CRI)	Blank
			Type II (30° x 60°)	Type II (30° x 60°)		2700K (90 CRI)	-T27
						2700K (97 CRI)	-T27-C97²
						3000K (90 CRI)	-T30
						3000K (97 CRI)	-T30-C97²
						3500K (90 CRI)	-T35
						5000K (80 CRI)	-T50
						RGB+W Control (24VDC)	-RGBWV24⁷
							None
							Hex-Cell Louver
							Photocell Sensor
							Integral Junction Box 1-Entry
							Integral Junction Box 2-Entry
							Junction Box, Conduit Top Entry
							Surge Protector
							Cold Weather
							Glare Shield (Up)
							Glare Shield (Down)
							Glare Shield
							(Up and Down)
							Independent Control (Up/Down)
							-2CCT
							Marine Grade Finish
							-MGD
							Die-Cast Oversized Mounting Plate
							-WPDC6

¹Special Order Finish. Minimum order quantity (MOQ) applies. Orders less than MOQ are subject to a special paint set-up fee for the quantity ordered. Extended lead times may apply. Consult Factory.
²Special Order. Minimum order quantity (MOQ), extended lead time may apply. Consult Factory.
³Standard driver minimum starting temperature is -10°C / 14°F.
⁴Cold Weather (-CW) Starting Temperature -30°C / -22°F.
⁵Blank EM enclosure available for non-EM units to provide a seamless design aesthetic when EM enabled products are installed.
⁶(-EMB-SD) and (-EMB-FC) are not compatible with (-CW) option.
⁷Remote Power Supplies and Control Gear required. Available with Wireless Bluetooth Casambi or DMX 512 control. Consult Factory for Details.
⁸(-347-D10) not available with 1000lm (10W) Lumen option.
⁹Must Specify Left or Right, see Page 7 for more details.
¹⁰(-LVR) Hex-Cell Louver is not compatible with CleanBeam Options (-CBU10), (-CBU15), (-CBU35), (-CBD10), (-CBD15), (-CBD35).
¹¹(-SUN-INT) sensor integrated into the reflector. Consult Factory for layout assistance or alternate sensor mounting.
¹²Special Order. Must be ordered with -EMB-FC, or -EMB-BLANK.
¹³Special Order. Must be ordered with -EMB-BLANK.

Energy Efficient Chip-On-Board (COB) Singular LED Light source provides for smooth uniform light output, eliminating the multiple shadow effect seen by multiple LED source products. Binned with 3-Step MacAdam Ellipses as recommended by Ansi Standard. Available in 2700k, 3000k, 3500k, 4000k, 5000k. Custom RAL Color: Please note that we appreciate custom finishes. Custom finishes are subject to a special paint setup fee for the quantity ordered. Extended lead times may apply. Consult Factory.

2026.03.20