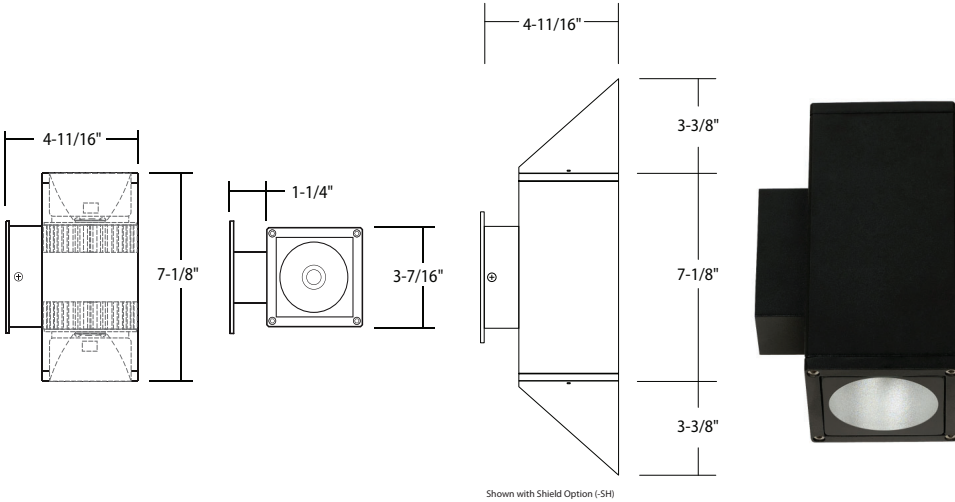


WD2Q340-USA : 4" SQUARE

2-DIRECTION WALL MOUNT (IP65) 2 X 1000LM-1500LM (20W-30W)



- **Produced in USA**
- Uniform, Low Glare Illumination
- Singular COB light source
- New Integral Emergency Option
- 13' Mtg. Ht., 22' O.C. Spacing (1000 lumen package)
- 25' Mtg. Ht., 22' O.C. Spacing (1500 lumen package)
- 5-Year Limited Warranty
- Photocell Available
- Available with Type IV/Forward Throw Optics
- IK08 Rated
- New Die-Cast Mounting Plate (-WPDC4)

ORDERING : WD2Q340-USAB-BU10-BD45UE-D10-EMAC-T27-LVR

[Click for Full Specification Details](#)

WD2Q340-USA

Fixture	Finish	Lumen	Optics	Control	LED	Emergency Options	Options
Finish		Optics		Control³		Emergency Options	
White (RAL 9003) W		⊕ <i>Beam Up</i>	⊖ <i>Beam Down</i>	Non-Dimming (120V)		Blank	None Blank
Silver (RAL 7037) S		<i>Standard Beams</i>	<i>Standard Beams</i>	0-10V Dimming (120V/277V)		UE-D10	Remote -EMAC
Bronze (RAL 8019) BZ		Wide Flood Blank	Wide Flood Blank	LED			BackPack -EMB-SD (Side Mount)
Black (RAL 9005) B		Narrow Spot -BU10	Narrow Spot -BD10	2700K (90 CRI)		-T27	BackPack -EMB-FC (Face Mount)
Light Silver (RAL 7036) LS¹		Spot -BU20	Spot -BD20	3000K (90 CRI)		-T30	BackPack -EMB-BLANK-SD⁴ (Empty, Side Mount)
Dark Grey (RAL 7015) DG¹		Flood -BU45	Flood -BD45	3500K (90 CRI)		-T35	BackPack -EMB-BLANK-SD⁴ (Empty, Side Mount)
Metallic Gold (RAL 1001) MG¹		<i>CleanBeam™ Option</i>	<i>CleanBeam™ Option</i>	4000K (90 CRI)		-T40	BackPack -EMB-BLANK-FC⁴ (Empty, Face Mount)
Metallic Black (RAL 7021) MB¹		10° Pencil Beam -CBU10	10° Pencil Beam -CBD10	5000K (80 CRI)		-T50	
Lumen		15° Clean Beam -CBU15	15° Clean Beam -CBD15				Options
2 x 1000LM (20W)	Blank	35° Clean Beam -CBU35	35° Clean Beam -CBD35				None Blank
2 x 1500LM (30W)	-L13	<i>Specialty Beams</i>	<i>Specialty Beams</i>				Hex-Cell Louver -LVR⁶
		Wall Wash -BUWW	Wall Wash -BDWW				Photocell Sensor -SDL
		Forward Throw (Type IV) -BUIV	Forward Throw (Type IV) -BDIV				Surge Protector -SRG
		Type II (30° x 60°) -BUII²	Type II (30° x 60°) -BDII²				Glare Shield (Up) -SHU
							Glare Shield (Down) -SHD
							Glare Shield (Up and Down) -SH
							Independent Control (Up/Down) -2CCT
							Marine Grade Finish -MGD¹
							Die-Cast Oversized Mounting Plate -WPDC4

¹ Special Order Finish. Minimum order quantity (MOQ) applies. Orders less than MOQ are subject to a special paint set-up fee for the quantity ordered. Extended lead times may apply. Consult Factory.
² Special Order. Minimum order quantity (MOQ), extended lead time may apply. Consult Factory.
³ Standard driver minimum starting temperature is -10°C / 14°F.
⁴ Blank EM enclosure available for non-EM units to provide a seamless design aesthetic when EM enabled products are installed.
⁶ (-LVR) Hex-Cell Louver is not available with CleanBeam Options (-CBU10), (-CBU15), (-CBU35), (-CBD10), (-CBD15), (-CBD35).

Energy Efficient Chip-On-Board (COB) Singular LED Light source provides for smooth uniform light output, eliminating the multiple shadow effect seen by multiple LED source products. Binned with 3-Step MacAdam Ellipses as recommended by Ansi Standard. Available in 2700K, 3000K, 3500K, 4000K, and 5000K. Custom RAL Color: Please note that we appreciate custom finishes. Custom finishes are subject to a special paint setup fee for the quantity ordered. Extended lead times may apply. Consult Factory.

2026.03.18