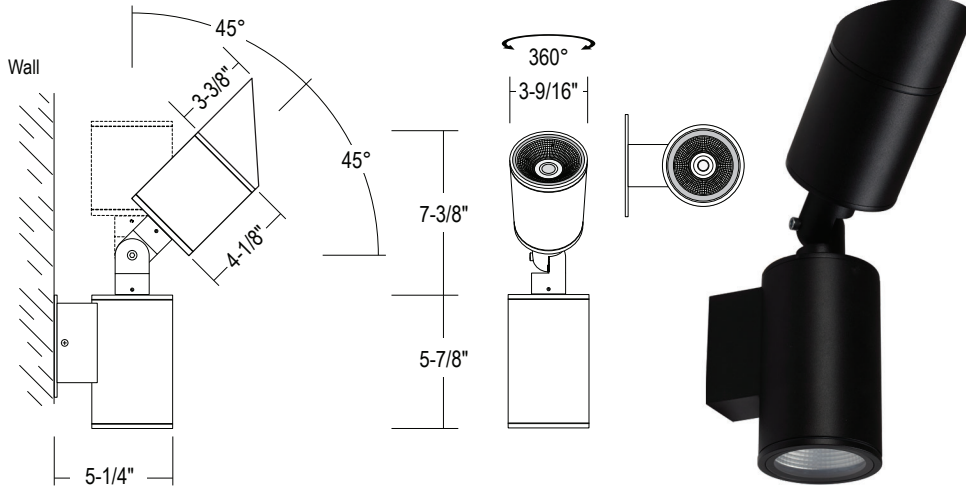


# WDJ340 : 4" BIONIC ROUND

2 x 1000LM-1500LM (20W-30W)



Shown with (-SHA) Glare Shield (Adjustable)



- Lockable Adjustability
- Uniform, Low-Glare Illumination
- 120V/277V Input Standard, 347V Available
- Wireless and Wired RGBW Options Available (12W LED)
- Improved Beam Spreads and Color Temperature Options
- Weep Holes for water drainage
- NEW Emergency Back-Pack Option Available
- NEW Glare Shields for eye comfort
- Available with Type IV Forward Throw and Type II Asymmetric Distributions
- IK08 Rated
- New Die-Cast Mounting Plate (-WPDC4)

## ORDERING : WDJ340B-BADJ10-BF20-UE-DUN-T27



[Click for Full Specification Details](#)

### WDJ340

Fixture	Finish	Lumen	Optics(Adjustable)	Optics(Fixed)	Control	LED	Emergency Options	Options
<b>Finish</b>			<b>Optics</b>		<b>Control<sup>3</sup></b>		<b>Emergency Options</b>	
White (RAL 9003) <b>W</b>			<i>Adjustable Head</i>	<i>Fixed Head</i>	Non-Dimming (120V)		<b>Blank</b>	<b>Blank</b>
Black (RAL 9005) <b>B</b>			<i>Standard Beams</i>	<i>Standard Beams</i>	TRIAC/ELV Dimming (120V)		<b>-DIN</b>	<b>-EMAC</b>
Bronze (RAL 8019) <b>BZ</b>			Wide Flood	Wide Flood	0-10V Dimming (120V/277V)		<b>UE-D10</b>	BackPack (Side Mount)
Silver (RAL 7037) <b>S</b>			Narrow Spot	Narrow Spot	UniDim™ 0-10V, TRIAC/ELV Dimming (120V/277V)		<b>UE-DUN</b>	BackPack (Face Mount)
Light Silver (RAL 7036) <b>LS<sup>1</sup></b>			Spot	Spot	1%, 0-10V Dimming (120V/277V)		<b>UE-D10P1</b>	BackPack (Empty, Side Mount)
Dark Grey (RAL 7015) <b>DG<sup>1</sup></b>			Flood	Flood	Casambi Wireless Dimming		<b>-DCSM<sup>8</sup></b>	BackPack (Empty, Face Mount)
Metallic Gold (RAL 1001) <b>MG<sup>1</sup></b>			<i>CleanBeam™ Option</i>	<i>CleanBeam™ Option</i>	BubblyNet Wireless System		<b>-DBNT<sup>9</sup></b>	BackPack (Empty, Face Mount)
Metallic Black (RAL 7021) <b>MB<sup>1</sup></b>			10° Pencil Beam <b>-CBADJ10</b>	10° Pencil Beam <b>-CBD10</b>	SimplySnap Wireless System		<b>-DSYN<sup>9</sup></b>	
<b>Lumen</b>						<b>LED</b>		<b>Options</b>
2 x 1000lm (20W)		<b>Blank</b>				4000K (90 CRI)	<b>Blank</b>	<b>Blank</b>
2 x 1500lm (30W)		<b>-L15</b>				2700K (90 CRI)	<b>-T27</b>	Black Hexcell
						2700K (97 CRI)	<b>-T27-C97<sup>2</sup></b>	Louver
						3000K (90 CRI)	<b>-T30</b>	Photocell Sensor
						3000K (97 CRI)	<b>-T30-C97<sup>2</sup></b>	Surge Protector
						3500K (90 CRI)	<b>-T35</b>	Cold Weather
						5000K (80 CRI)	<b>-T50</b>	Glare Shield (Adjustable)
						RGB+W Control (24VDC)	<b>-RGBWV24<sup>7</sup></b>	Glare Shield (Fixed)
								Glare Shield (Adjustable and Fixed)
								Marine Grade Finish
								<b>-MG</b>
								Die-Cast Oversized Mounting Plate
								<b>-WPDC4</b>

<sup>1</sup> Special Order Finish. Minimum order quantity (MOQ) applies. Orders less than MOQ are subject to a special paint set-up fee for the quantity ordered. Extended lead times may apply. Consult Factory.  
<sup>2</sup> Special Order. Minimum order quantity (MOQ), extended lead time may apply. Consult Factory.  
<sup>3</sup> Standard Driver Starting Temp -10°C/14°F.  
<sup>4</sup> Cold Weather (-CW) Starting Temperature is -30°C/-22°F.  
<sup>5</sup> Blank EM enclosure available for non-EM units to provide a seamless design aesthetic when EM enabled products are installed.  
<sup>6</sup> (-EMB-SD) and (-EMB-FC) are not compatible with (-CW) option.  
<sup>7</sup> Remote Power Supplies and Control Gear required. Available with Wireless Bluetooth Casambi or DMX 512 control. Consult Factory for Details.  
<sup>8</sup> Special Order. Must be ordered with -EMB-FC.  
<sup>9</sup> Special Order. Must be ordered with -EMB-BLANK.

2026.03.16