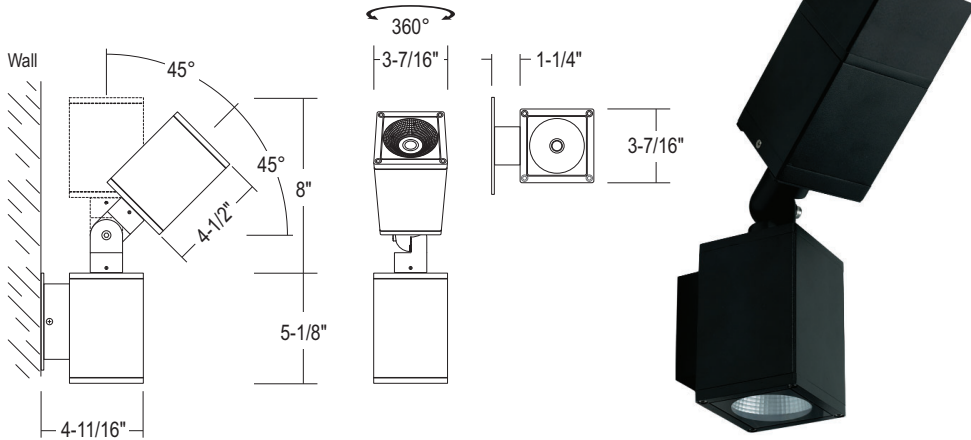


WDQJ340 : 4" BIONIC SQUARE

2 x 1000LM-1500LM (20W-30W)



Shown with (-SHA)
Glare Shield (Adjustable)



- Lockable Adjustability
- Uniform, Low-Glare Illumination
- 120V/277V Input Standard, 347V Available
- Wireless and Wired RGBW Options Available (12W LED)
- Improved Beam Spreads and Color Temperature Options
- Weep Holes for water drainage
- NEW Emergency Back-Pack Option Available
- NEW Glare Shields for eye comfort
- Available with Type IV Forward Throw and Type II Asymmetric Distributions
- IK08 Rated
- New Die-Cast Mounting Plate (-WPDC4)

ORDERING : WDQJ340W-BADJ10-BF45UE-D10-EMAC-T27



[Click for Full Specification Details](#)

Fixture	Finish	Lumen	Optics(Adjustable)	Optics(Fixed)	Control	LED	Emergency Options	Options	
Finish		Optics		Control³		Emergency Options			
White	(RAL 9003) W	<i>Adjustable Head</i>		<i>Fixed Head</i>		Non-Dimming (120V)	Blank	None	Blank
Black	(RAL 9005) B	<i>Standard Beams</i>		<i>Standard Beams</i>		TRIAC/ELV Dimming (120V)	-DIN	Remote	-EMAC
Bronze	(RAL 8019) BZ	Wide Flood	Blank	Wide Flood	Blank	0-10V Dimming (120V/277V)	UE-D10	BackPack (Side Mount)	-EMB-SD
Silver	(RAL 7037) S	Narrow Spot	-BADJ10	Narrow Spot	-BD10	UniDim™ 0-10V, TRIAC/ELV Dimming (120V/277V)	UE-DUN	BackPack (Face Mount)	-EMB-FC
Light Silver	(RAL 7036) LS¹	Spot	-BADJ20	Spot	-BD20	1%, 0-10V Dimming (120V/277V)	UE-D10P1	BackPack (Empty, Side Mount)	-EMB-BLANK-SD⁴
Dark Grey	(RAL 7015) DG¹	Flood	-BADJ45	Flood	-BD45	Casambi Wireless Dimming	-DCSM⁷	BackPack (Empty, Side Mount)	-EMB-BLANK-FC⁴
Metallic Gold	(RAL 1001) MG¹	<i>CleanBeam™ Option</i>		<i>CleanBeam™ Option</i>		BubblyNet Wireless System	-DBNT⁸	BackPack (Empty, Face Mount)	-EMB-BLANK-FC⁴
Metallic Black	(RAL 7021) MB¹	10° Pencil Beam -CBADJ10		10° Pencil Beam -CBD10		SimplySnap Wireless System	-DSYN⁸		
Lumen						LED		Options	
2 x 1000LM	(20W)	Blank		25° Clean Beam -CBD20		4000K (90 CRI)	Blank	None	Blank
2 x 1500LM	(30W)	-L13		35° Clean Beam -CBD35		2700K (90 CRI)	-T27	Black Hexcell Louver	-LVR
						2700K (97 CRI)	-T27-C97²	Photocell Sensor	-SDL
						3000K (90 CRI)	-T30	Surge Protector	-SRG
						3000K (97 CRI)	-T30-C97²	Cold Weather	-CW⁶
						3500K (90 CRI)	-T35	Glare Shield (Adjustable)	-SHA
						5000K (80 CRI)	-T50	Glare Shield (Adjustable)	-SHD
						RGB+W Control (24VDC)	-RGBWV24⁵	Glare Shield (Fixed)	-SH
								Glare Shield (Adjustable and Fixed)	-SHD
								Marine Grade Finish	-MG¹
								Die-Cast Oversized Mounting Plate	-WPDC4

¹Special Order Finish. Minimum order quantity (MOQ) applies. Orders less than MOQ are subject to a special paint set-up fee for the quantity ordered. Extended lead times may apply. Consult Factory.
²Special Order. Minimum order quantity (MOQ), extended lead time may apply. Consult Factory.
³Standard Driver Starting Temp -10°C/14°F.
⁴Blank EM enclosure available for non-EM units to provide a seamless design aesthetic when EM enabled products are installed.
⁵Remote Power Supplies and Control Gear required. Available with Wireless Bluetooth Casambi or DMX 512 control. Consult Factory for Details.
⁶(-EMB-SD) and (-EMB-FC) are not compatible with (-CW) option.
⁷Special Order. Must be ordered with -EMB-FC.
⁸Special Order. Must be ordered with -EMB-BLANK.

Energy Efficient Chip-On-Board (COB) Singular LED Light source provides for smooth uniform light output, eliminating the multiple shadow effect seen by multiple LED source products. Binned with 3-Step MacAdam Ellipses as recommended by Ansi Standard. Available in 2700k, 3000k, 3500k, 4000k, 5000k. Custom RAL Color: Please note that we appreciate custom finishes. Custom finishes are subject to a special paint setup fee for the quantity ordered. Extended lead times may apply. Consult Factory.

2026.03.18