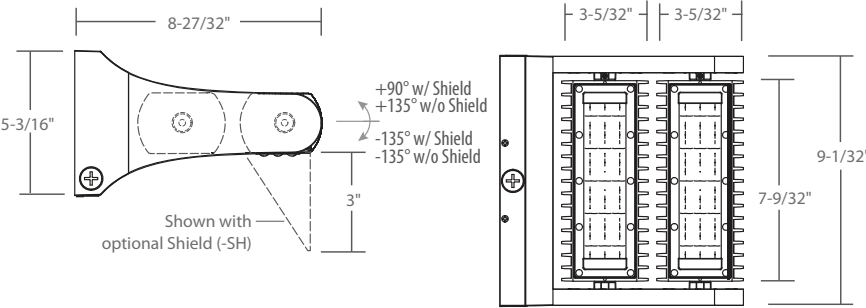


# WLP32 : 9" DEXTERO ADJUSTABLE FLOOD

2 DIRECTION 4400LM - 16,000LM (40W - 120W)



- Adjustable Design
- Durable, corrosion resistant finish
- Lamp equivalent of 50W HID for 25W, 100W HID for 40W, and 150W HID for 60W package
- Emergency back up available
- 5-year limited warranty
- 120V/277V Input Standard, 347V Available
- Dark Sky Compliant Option
- Surface 2-Direction Wall Mount

## ORDERING : WLP32-60WUE-D10-SH

[Click for Full Specification Details](#)

### WLP32

Fixture	Finish	Lumens	Driver	Color Temperature	Options	Shielded
Finish		Driver		Color Temperature	Options	
Bronze	<b>Blank</b>	Non-Dimming (120V)	<b>Blank</b>	4000K	None	<b>Blank</b>
Black	<b>B</b>	Non-Dimming (120V/277V)	<b>UE</b>	3000K	Remote Location	<b>-EMAC</b>
White	<b>W<sup>1</sup></b>	0-10V Dimming (120V/277V)	<b>UE-D10</b>	5000K	Emergency Inverter	
Silver	<b>S<sup>1</sup></b>	2-Wire, ELV, 0-10V Dimming (120V/277V)	<b>UE-DUN<sup>3</sup></b>		Integral Daylight Sensor	<b>-SDL</b>
Lumens		Integral Emergency Battery	<b>UE-D10-EMA<sup>5</sup></b>		Cold Weather	<b>-CW<sup>6</sup></b>
4400lm (40W)	<b>-40W</b>	347V, 0-10V Dimming	<b>-347-D10<sup>4</sup></b>		Shielded	
6500lm (60W)	<b>-60W</b>				None	<b>Blank</b>
9200lm (80W)	<b>-80W</b>				Shield	<b>-SH</b>
13000lm (100W)	<b>-100W</b>					
16000lm (120W)	<b>-120W</b>					

2025.05.23

<sup>1</sup> Special Order Finish. Minimum order quantity (MOQ) applies. Orders less than MOQ are subject to a special paint set-up fee for the quantity ordered. Extended lead times may apply. Consult Factory.

<sup>2</sup> Special Order. Minimum order quantity (MOQ), extended lead time may apply. Consult Factory.

<sup>3</sup> (UE-DUN) not available for (-80W), (-100W), or (-120W) lumen package.

<sup>4</sup> (-347-D10) not available for (-120W) lumen package.

<sup>5</sup> (UE-D10-EMA) only available for (-40W) lumen package.

<sup>6</sup> (-CW) not compatible with (UE-DUN) and (UE-D10-EMA).

Custom RAL Color: Please note that we appreciate custom finishes. Custom finishes are subject to a special paint setup fee for the quantity ordered. Extended lead times may apply. Consult Factory.