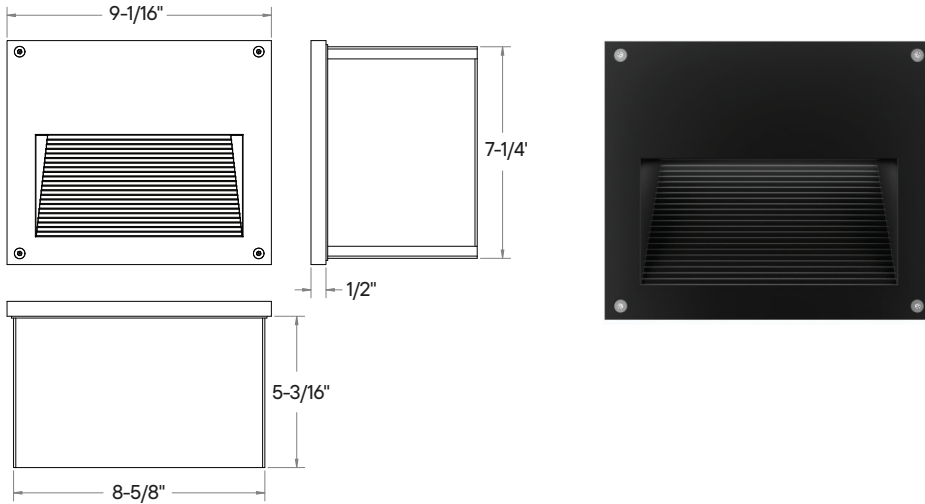


WSRQ977 : 9" SQUARE RECESSED PATHWAY LIGHT 1000LM (10W)



- Low Glare
- Fully Die-Cast Aluminum
- Marine Grade Finishes
- Amber LED Option (590nm, NOT PC amber)
- ADA Compliant
- Dark Sky Compliant
- IP65 Rated
- IK10 Rated
- Integral Daylight + Motion Sensor (UNISENSE)
- Inconspicuous LED Layout
- Achieve up to 6' Fixture Spacing at 3' Mounting Height while maintaining a min. of 2 fc at egress

ORDERING : WSRQ977BBIVUE-D10-T27

[Click for Full Specification Details](#)

Fixture	Finish	Optics	Control	Color Temperature	Emergency Options	Options
Fixture 9" Square Darklight Pathway Light 1000lm (10W)	Finish Black B White W² Bronze BZ Silver S²	Optics Standard Blank Forward Throw (Type-IV) BIV¹	Control TRIAC/ELV Dimming (120V) Blank 0-10V Dimming (120V/277V) UE-D10 UniDim™ 0-10V, TRIAC/ELV Dimming (120V/277V) UE-DUN 1%, 0-10V Dimming (120V/277V) UE-D10P1 UniSense - Integral Motion/Photosensor (120V/277V) -SUN-INT-1227	Color Temperature 2700K (80CRI) -T27 3000K (80CRI) -T30 3500K (80CRI) -T35 4000K (80CRI) -T40 Limited Wavelength (590nm) -TAM¹	Emergency Options None Blank Remote Emergency Inverter (25W) -EMAC³	Options None Blank Marine Grade Finish -MGD²

¹ Special Order. Minimum order, extended lead time may apply. Consult factory.

² Special Order Finish. Minimum order quantity (MOQ) applies. Orders less than MOQ are subject to a special paint set-up fee for the quantity ordered. Extended lead times may apply. Consult Factory.

³ Check Wiring Diagram for Remote Emergency Backup.